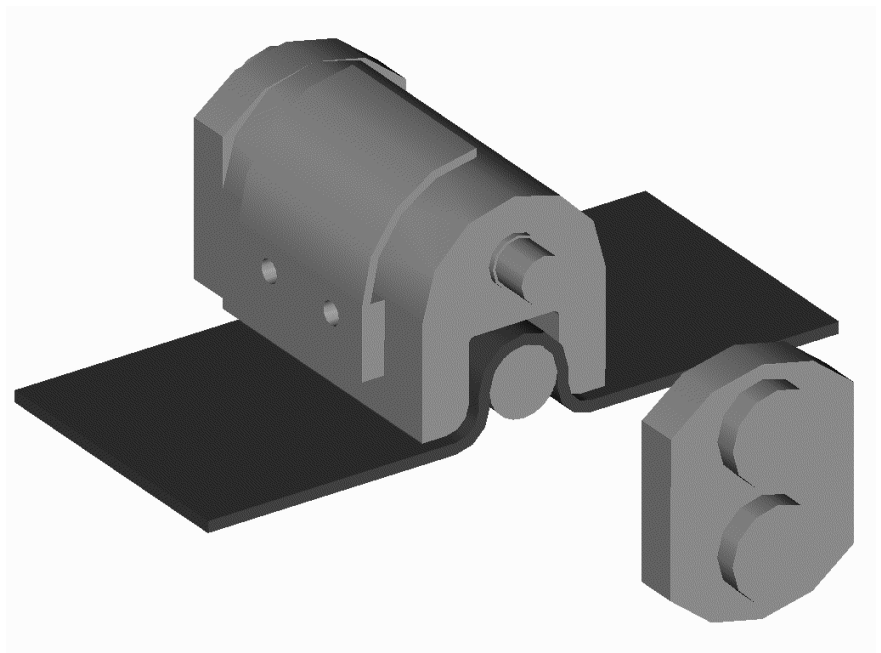




## Seat Belt Tension Load Cell Series TNC 450

Capacities 0 to 200N & 0 to 6.5kN



- ▶ Aluminium Construction
- ▶ High over-load capability
- ▶ Easily Fitted to Belt
- ▶ High Accuracy

## Technical Data



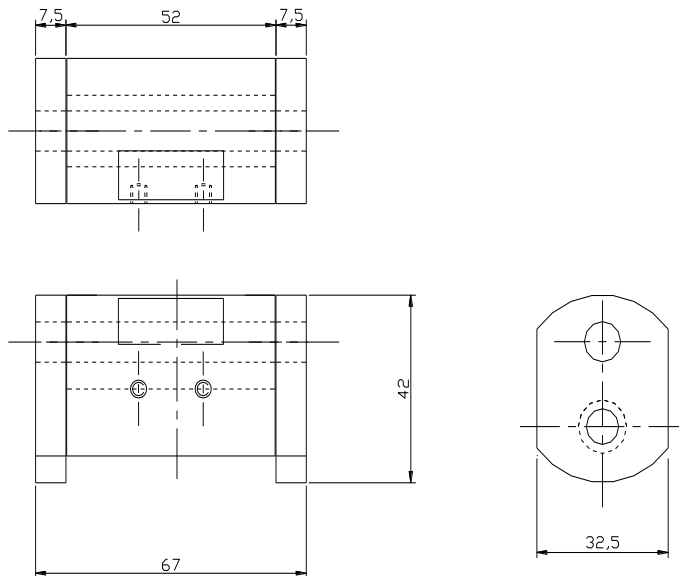
Standard load ranges	N	0-200N, 0-6.5kN
Full load output	mV/V	1.0
Excitation voltage (recommended) dc or ac	V	10
Excitation voltage (maximum) dc or ac	V	18
Safe service load	%	3000
Ultimate load	%	5000
Combined error (non linearity and hysteresis)	%	+/- 0.14
Repeatability	%	+/- 0.085
Creep after 30 minutes (at 20 degrees C)	%	+/- 0.05
Output at zero load	%	<+/- 1.0
Input resistance	ohms	350 +/- 30
Output resistance	ohms	350 +/- 5
Operational temperature range	degrees C	- 20 to + 80
Compensated temperature range	degrees C	20 to + 75
Temperature coefficient of zero	%/degrees C	+/- 0.003
Temperature coefficient of span	%/degrees C	+/- 0.003
Environmental protection		IP 65
Insulation	G ohms	>2 at 100V dc
Construction/Weight	Aluminium	250g

Note: All percentages related to Full Rated Load

## Electrical Connections

4 Core cable

Red	Ex +ve
Blue	Ex -ve
Green	Sig+ve
Yellow	Sig-ve



All Dimensions in mm

TNC's policy is one of continuous development and these specifications are subject to change without notice.

 **TNC** ELECTRONICS  
STRAIN MEASUREMENT TECHNOLOGY

6 CAMPBELL COURT, BRAMLEY, TADLEY, HAMPSHIRE RG26 5EG.  
TEL: 01256 881743 FAX: 01256 883463  
WWW.TNCELECTRONICS.CO.UK EMAIL: SALES@TNCELECTRONICS.CO.UK