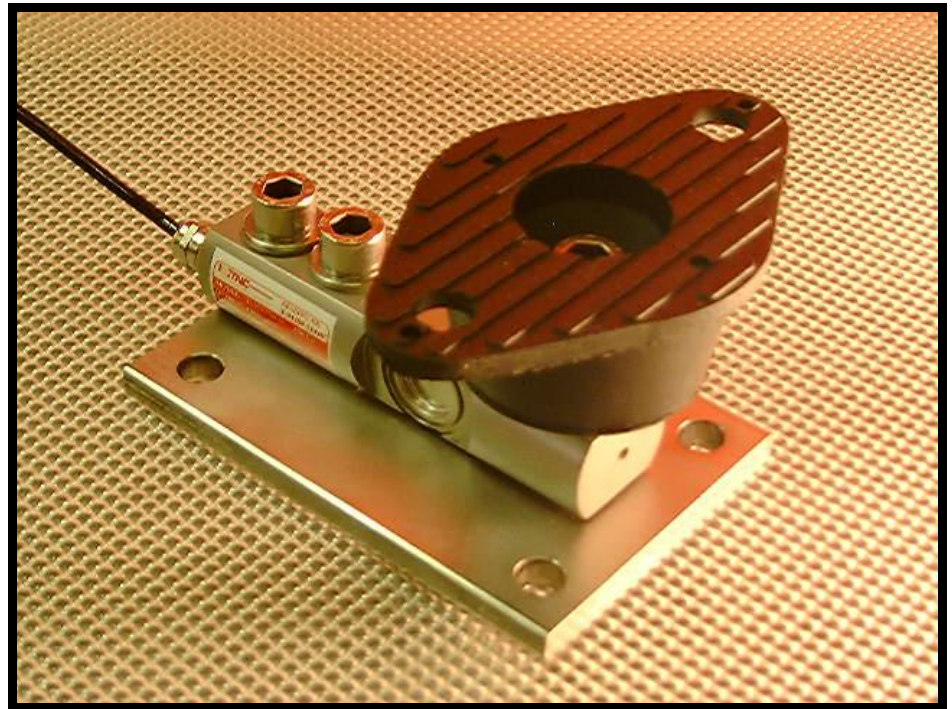


TNC 4000



Shear Beam Load cell Series TNC 4000

Capacities 250 kg to 2000 kg



- ▶ **Stainless Steel**
- ▶ **Temperature Compensated**
- ▶ **Rationalised Output**
- ▶ **High Accuracy**
- ▶ **Sealed to IP68**

TNC 4000

Technical Data

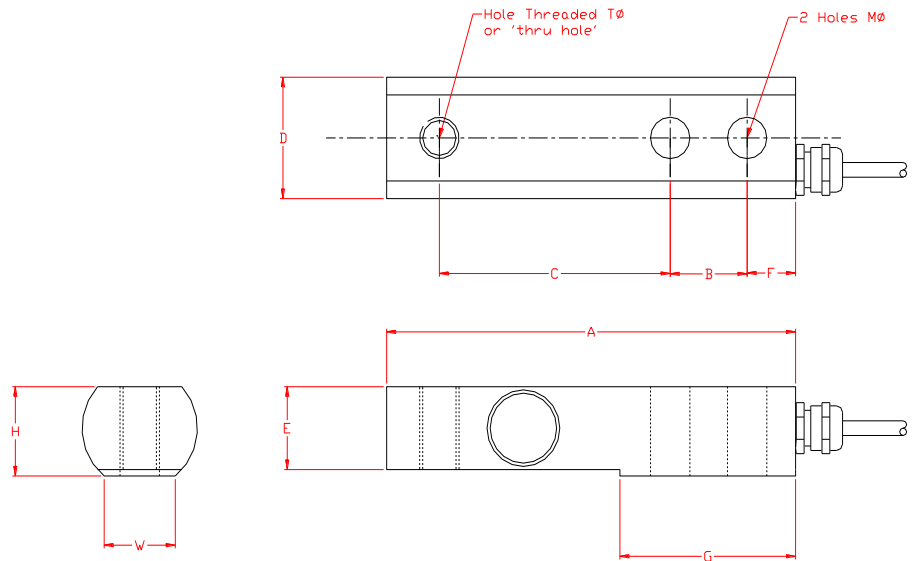


Standard load ranges	Kg	250,500,1000,2000, 5000,10000
Full load output	mV/V	2.0 , (+/-0.25%)
Excitation voltage (recommended) dc or ac	V	10
Excitation voltage (maximum) dc or ac	V	18
Safe service load	%	150
Ultimate load	%	300
Combined error (non linearity and hysteresis)	%	+/- 0.04
Repeatability	%	+/- 0.015
Creep after 30 minutes (at 20 degrees C)	%	+/- 0.03
Output at zero load	%	<+/- 1.0
Input resistance	ohms	380 +/- 30
Output resistance	ohms	350 +/- 5
Operational temperature range	degrees C	- 20 to + 80
Compensated temperature range	degrees C	20 to + 75
Temperature coefficient of zero	%/degrees C	+/- 0.003
Temperature coefficient of span	%/degrees C	+/- 0.003
Environmental protection		IP 68
Insulation	G ohms	>2 at 100V dc
Construction		17-4Ph St/st

Note: All percentages related to Full Rated Load

Electrical Connections

4 Core cable **Red Ex +ve** **Green Sig+ve**
 Blue Ex -ve **Yellow Sig-ve**



Capacity Kg	A	B	C	D	E	F	G	H	W	Mø	Tø
250-2000	135	25.4	76.2	38.1	26	16	58.5	28	22	13	M12
5000	170	38	95.3	50.8	36	20	76	39	29	21	21
10,000	220	50.8	120.7	68	46	26	105	52	36	26	26

ALL DIMENSIONS IN mm

TNC's policy is one of continuous development and these specifications are subject to change without notice.



6 CAMPBELL COURT, BRAMLEY, TADLEY, HAMPSHIRE RG26 5EG.

TEL: 01256 881743 FAX: 01256 883463

WWW.TNCELECTRONICS.CO.UK EMAIL: SALES@TNCELECTRONICS.CO.UK