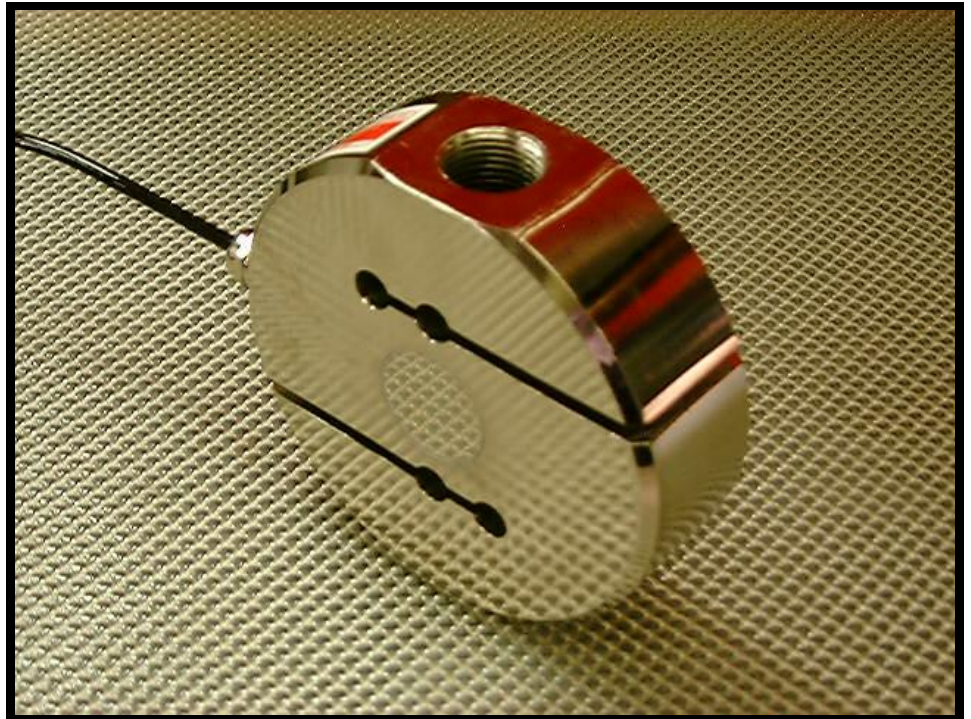


TNC 3000



S – Beam Load Cell Series TNC 3000

Capacites 1te to 7.5te Tension



- ▶ **Alloy Steel load cell**
- ▶ **Simple Installation**
- ▶ **Temperature compensated**
- ▶ **Rationalised output**
- ▶ **Sealed to IP67**
- ▶ **Two Year Warranty**

Technical Data



Standard load ranges	Te	1, 2, 3.5, 5, 7.5
Full Load output	mV/V	2.0 +/- 0.1%
Excitation voltage (recommended) dc or ac	V	10
Excitation voltage (maximum) dc or ac	V	15
Safe service load	%	150
Ultimate load	%	300
Safe side load	%	100
Combined error (non-linearity & hysteresis)	%	<+/- 0.05
Repeatability	%	<+/- 0.03
Output at zero load	%	<+/- 1.0%
Input resistance	ohms	385 +/- 20
Output resistance	ohms	350 +/- 2
Creep after 30 minutes (20 deg C)	%	<+/- 0.05%
Operational temperature range	deg C	-20 to +80
Compensated temperature range	deg C	20 to +70
Temperature coefficient of zero	%/C	<+/- 0.005
Temperature coefficient of span	%/C	<+/- 0.003
Environmental protection		IP67
Cable length standard	m	6
Insulation	M ohms	>500 at 100V.dc

NOTE: All percentages related to Full Rated Load

Electrical Connections

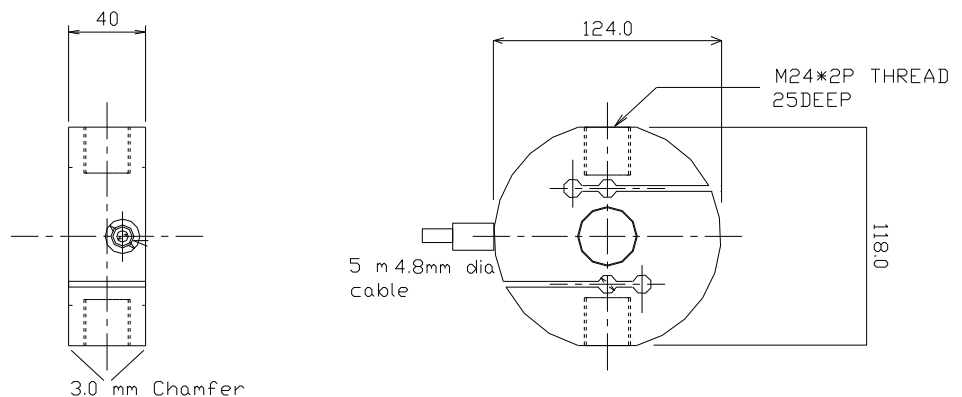
Red + input Green + output
Blue - input Yellow - output
Screen not connected to load cell

Mechanical Interface

Via 2 Off M24*2P Threads

Construction

Load cell: Plated EN24T



ALL DIMENSIONS IN MM

TNC's policy is one of continuous development and these specifications are subject to change without notice



6 CAMPBELL COURT, BRAMLEY, TADLEY, HAMPSHIRE RG26 5EG.
 TEL: 01256 881743 FAX: 01256 883463
 WWW.TNCELECTRONICS.CO.UK EMAIL: SALES@TNCELECTRONICS.CO.UK