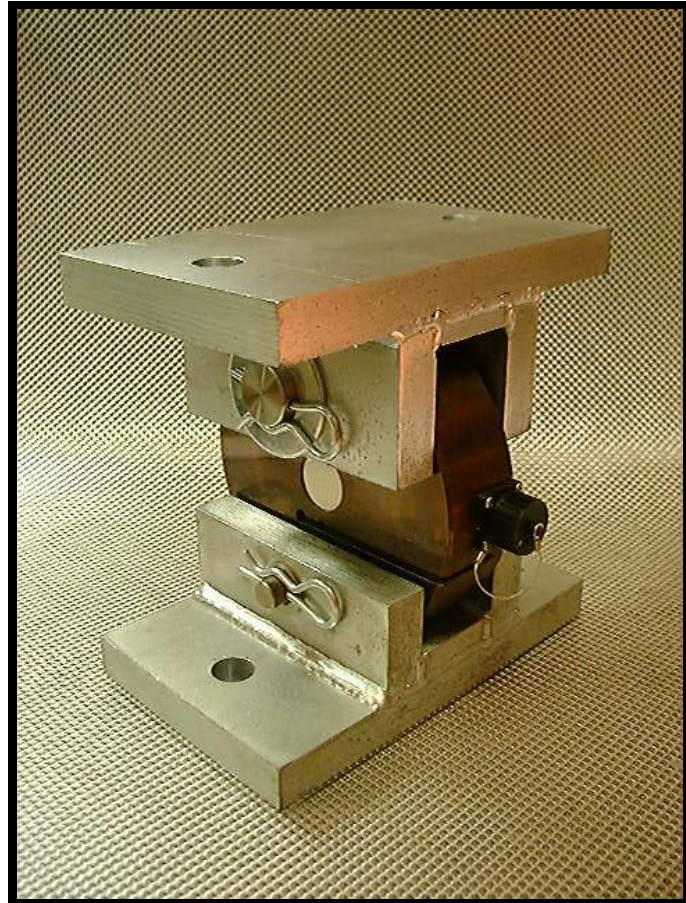


TNC 3000C



## Compression Cell Series TNC 3000 COMP

Capacities 1 te to 30te  
For Tank, Vessel & Hopper Weighing



- ▶ **Stainless Steel load cell**
- ▶ **Integral lift off prevention**
- ▶ **Simple Installation**
- ▶ **Eliminates need for tie rods**
- ▶ **Allows for mis-alignment of structure**
- ▶ **Sealed to IP68**
- ▶ **Two Year Warranty**

# TNC 3000C

## Technical Data



Standard load ranges	Te	1,2,5,7.5,10,15,20,30.
Full Load output	mV/V	2.0 +/-0.1%
Excitation voltage (recommended) dc or ac	V	10
Excitation voltage (maximum) dc or ac	V	15
Safe service load	%	150
Ultimate load	%	300
Safe side load	%	100
Combined error (non-linearity & hysteresis)	%	<+/- 0.05
Repeatability	%	<+/- 0.03
Output at zero load	%	<+/- 1.0%
Input resistance	ohms	385 +/-20
Output resistance	ohms	350 +/-2
Creep after 30 minutes (20 deg C)	%	<+/- 0.05%
Operational temperature range	deg C	-20 to +80
Compensated temperature range	deg C	20 to +70
Temperature coefficient of zero	%/C	<+/-0.005
Temperature coefficient of span	%/C	<+/-0.003
Environmental protection		IP68
Cable length standard	m	10
Insulation	G ohms	>2 at 100V.dc

NOTE: All percentages related to Full Rated Load

## Electrical Connections

**Red + input      Green + output**  
**Blue - input      Yellow - output**  
**Screen not connected to load cell**

## Connector Fitted (Option)

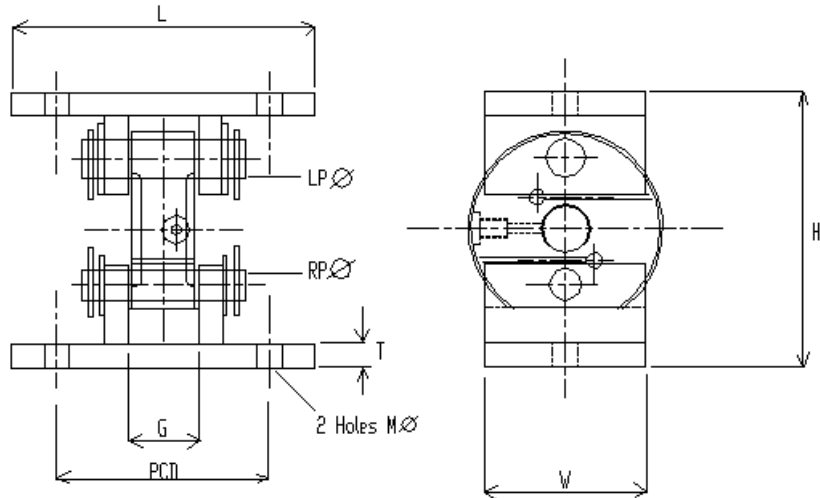
**IP 68 4 Way Connector**  
**Pin 1 + input      Pin 3 + output**  
**Pin 2 - input      Pin 4 - output**

## Mechanical Interface

**Via 4 attachment holes**

## Construction

**Load cell: Stainless Steel    Brackets: Mild steel, Zinc plated**  
**Shafts: 316 Stainless steel**



Capacity kg	C	H	L	M	PCD	LP	RP	T	W
1000-7500	45	174	193	18	135	25	16	15	100
10,000-1500	55	238	238	22	175	30	20	25	150
20,000-30,000	55	238	238	22	175	38	20	25	150

ALL DIMENSIONS IN MM

TNC's policy is one of continuous development and these specifications are subject to change without notice



6 CAMPBELL COURT, BRAMLEY, TADLEY, HAMPSHIRE RG26 5EG.  
 TEL: 01256 881743    FAX: 01256 883463  
 WWW.TNCELECTRONICS.CO.UK    EMAIL: SALES@TNCELECTRONICS.CO.UK